



# Diamond Tub & Showers Spec Sheet

Model: SA 483876

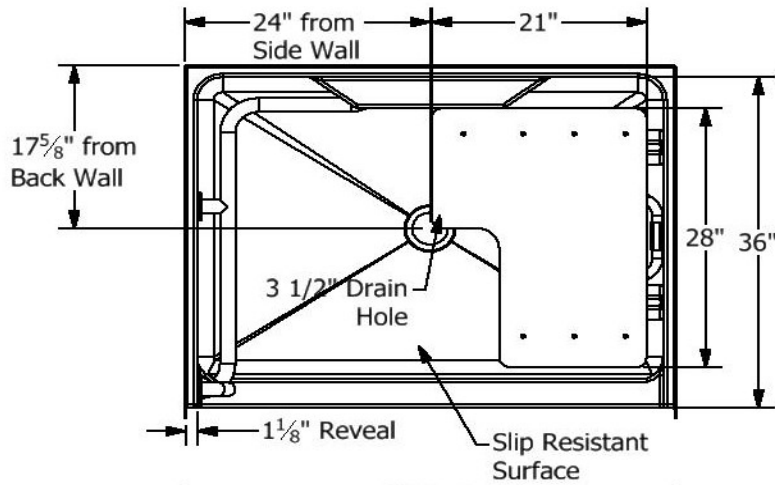
Description: One Piece Handicap Accessible Shower Unit

## Specifications

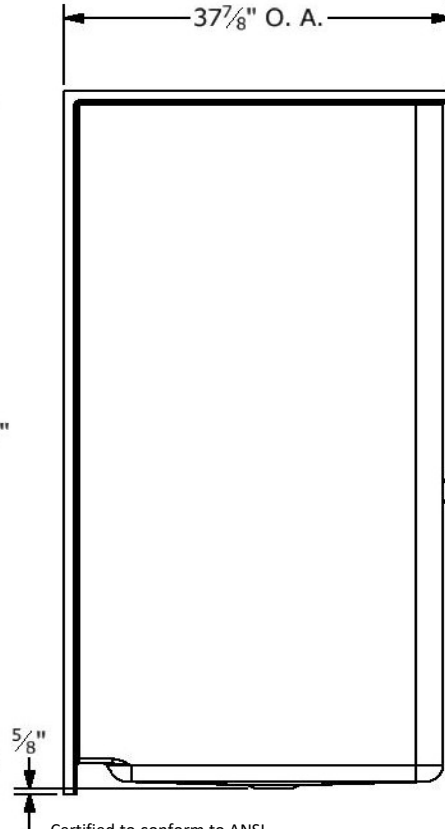
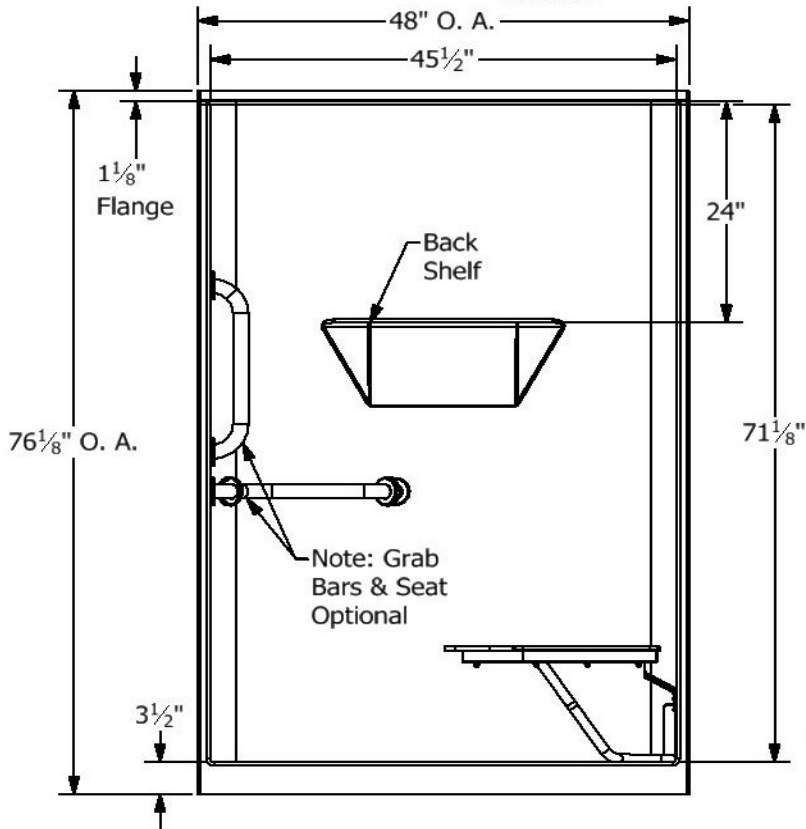
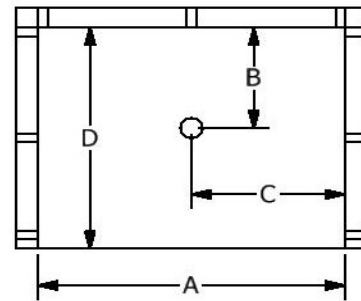
Model #	Material	Wall Finish	Pieces	Drain	Threshold Height	Net Weight Lbs.
SA 483876	Fiberglass/Gelcoat	Smooth	1	C	3 1/2"	
Enclosure Opening						
Width		Height				
45 1/2"		71 1/8"				

## Framing Dimensions

A	B	C	D
48"	17 5/8"	24"	38 1/8"



## Framing Specifications



Certified to conform to ANSI Z124.1 and ASTM E- 162 Flame Spread Rating 200 or less and is under a program of factory inspection.

Manufactured by Frontline Mfg., Inc. Warsaw, IN



5/31/19



## Diamond Tub & Showers Spec Sheet

Model: SA 483878/76 (78 Shown)

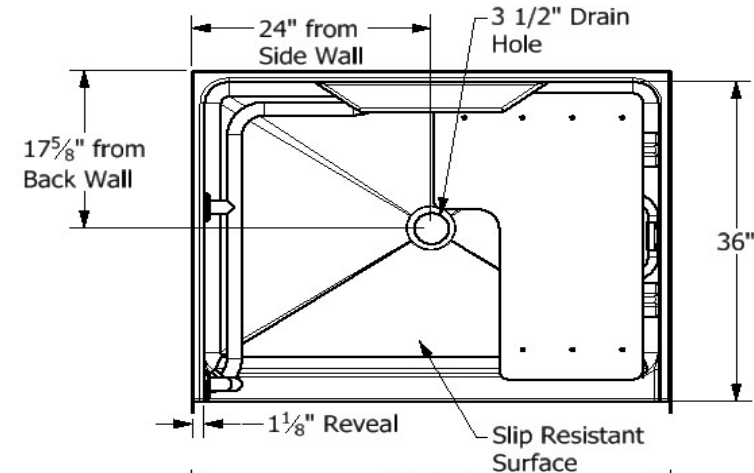
Description: One Piece Handicap Accessible Shower Unit

### Specifications

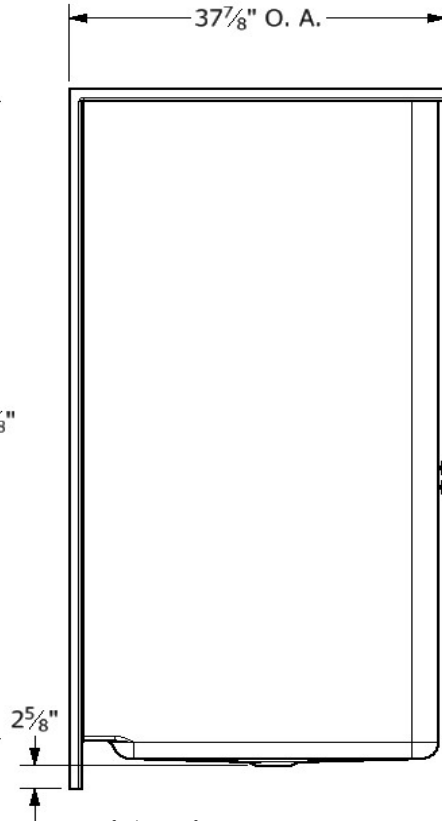
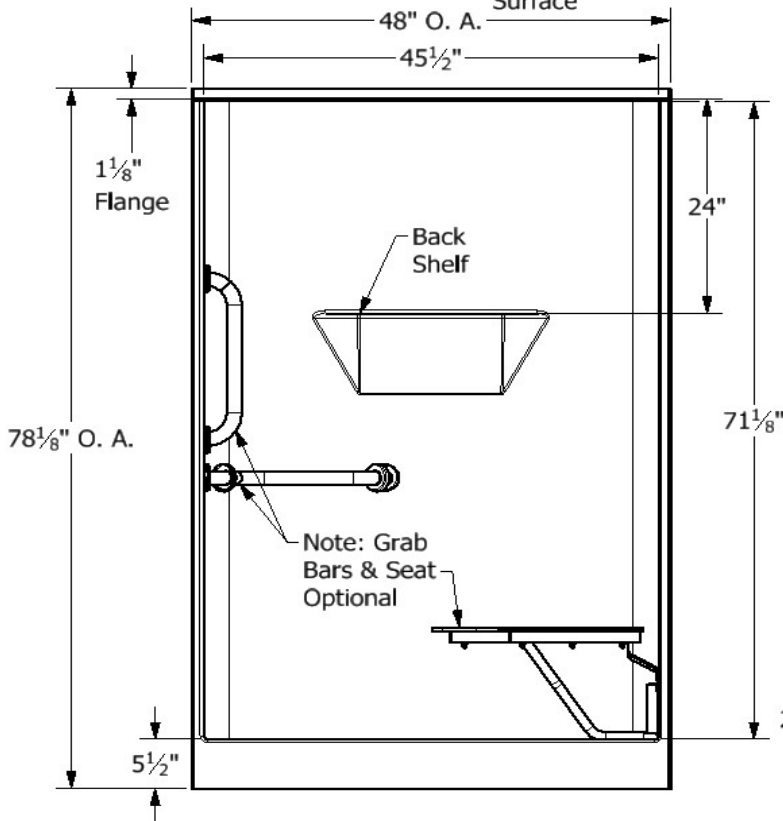
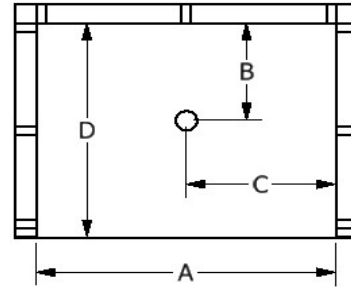
Model #	Material	Wall Finish	Pieces	Drain	Threshold Height	Net Weight Lbs.
SA 483878/76	Fiberglass/Gelcoat	Smooth	1	C	5 1/2"	
Enclosure Opening						
Width		Height				
45 1/2"		71 1/8"				

### Framing Dimensions

A	B	C	D
48"	17 5/8"	24"	38 1/8"



### Framing Specifications



Certified to conform to ANSI Z124.1 and ASTM E- 162 Flame Spread Rating 200 or less and is under a program of factory inspection.

Manufactured by Frontline Mfg., Inc. Warsaw, IN



5/31/19