



Diamond Tub & Showers Spec Sheet

Model: S 423779 (S 4237XX)

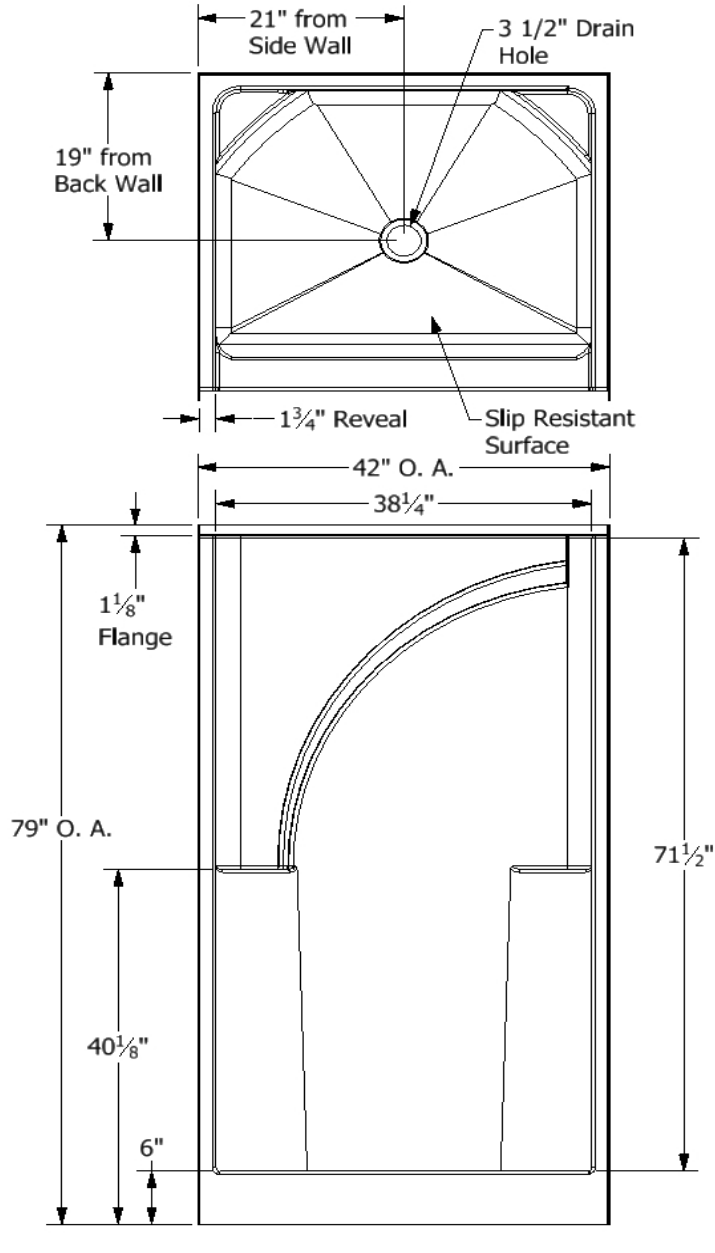
Description: One Piece Shower Unit

Specifications

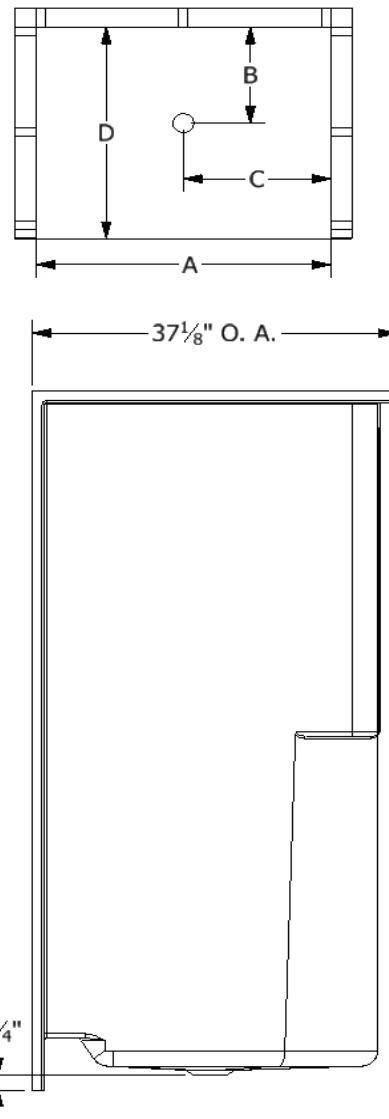
Model #	Material	Wall Finish	Pieces	Drain	Threshold Height	Net Weight Lbs.
S 423779	Fiberglass/ Gelcoat	Smooth	1	C	6"	
Enclosure Opening						
Width		Height				
38 1/4"		71 1/2"				

Framing Dimensions

A	B	C	D
42"	19"	21"	37 1/8"



Framing Specifications



This product is tested by ICC-ES and is certified to conform to the requirements of CSA B45.5/IAMPO Z124 standard.

Manufactured by Frontline Mfg., Inc. Warsaw, IN
 ICC ES PMG
 5/31/19