



Diamond Tub & Showers Spec Sheet

Model: S 363779

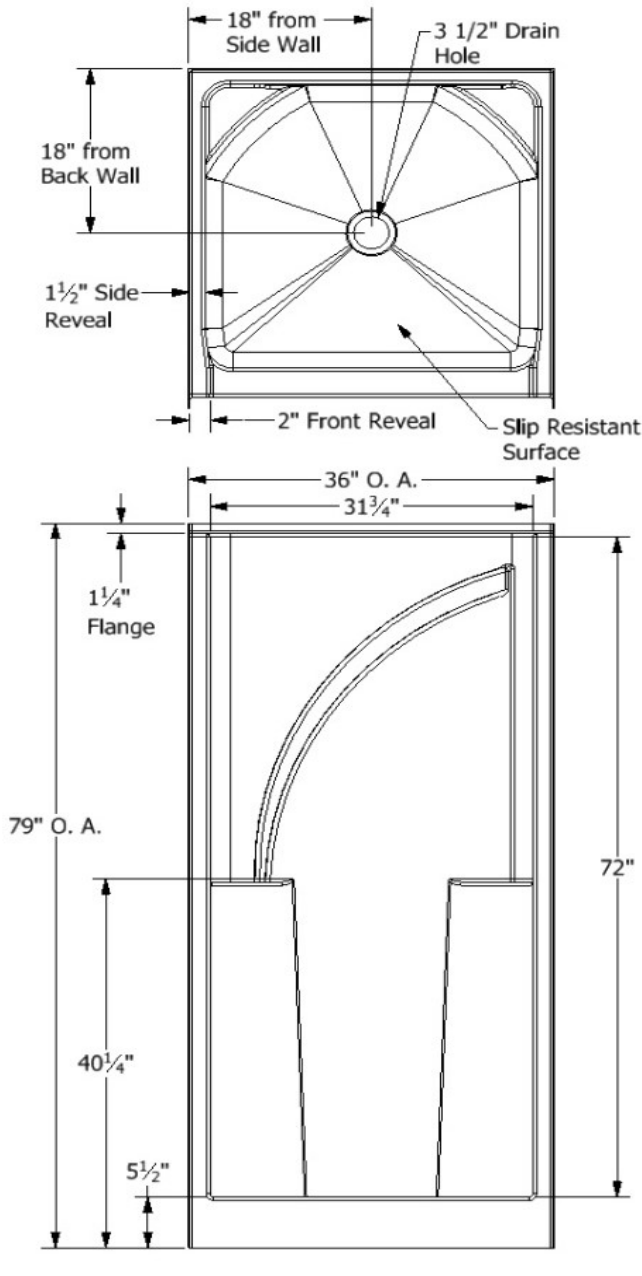
Description: One Piece Shower Unit

Specifications

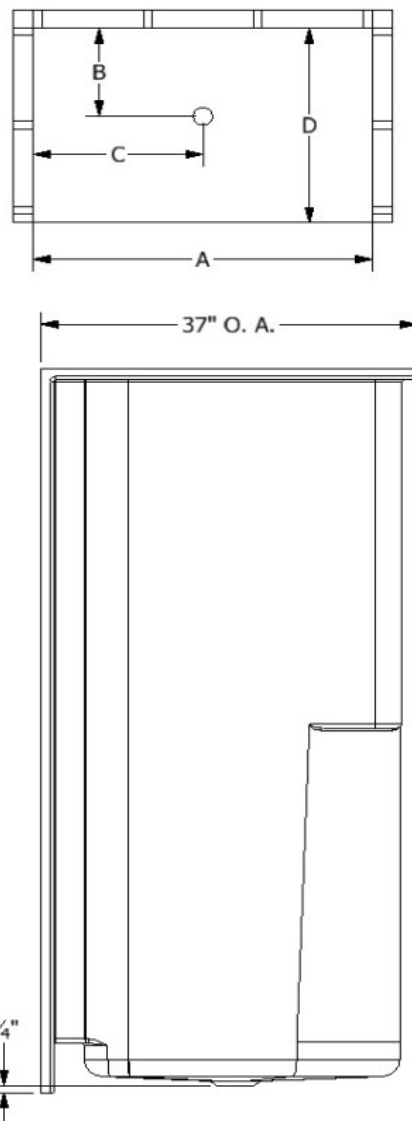
Model #	Material	Wall Finish	Pieces	Drain	Threshold Height	Net Weight Lbs.
S 363779	Fiberglass/Gelcoat	Smooth	1	C	5 1/2"	
Enclosure Opening						
Width		Height				
31 3/4"		72"				

Framing Dimensions

A	B	C	D
36"	18"	18"	37"



Framing Specification



Certified to conform to ANSI Z124.1 and ASTM E- 162 Flame Spread Rating 200 or less and is under a program of factory inspection.

Manufactured by Frontline Mfg., Inc. Warsaw, IN



3/30/20