



Diamond Tub & Showers Spec Sheet

Model: S 363674

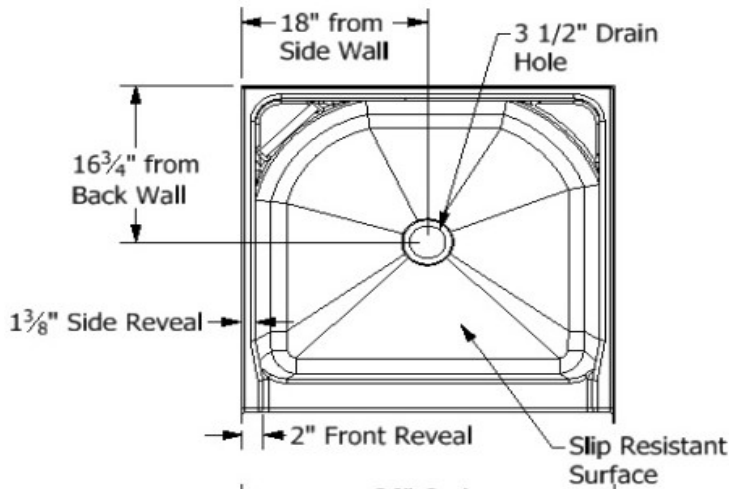
Description: One Piece Shower Unit

Specifications

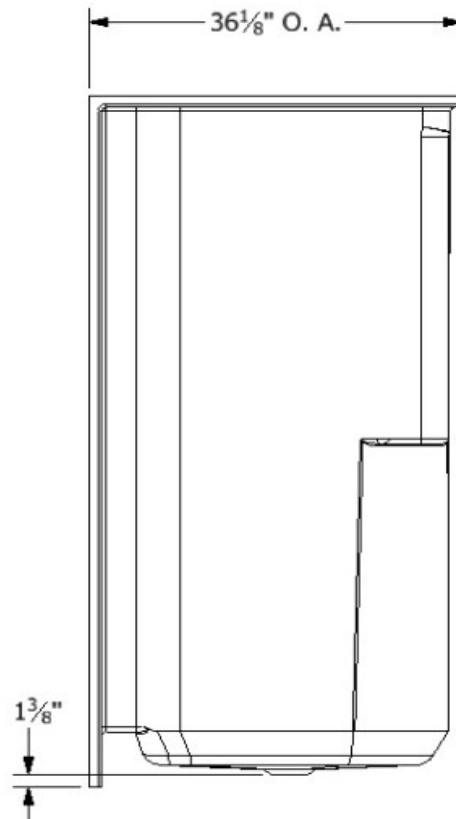
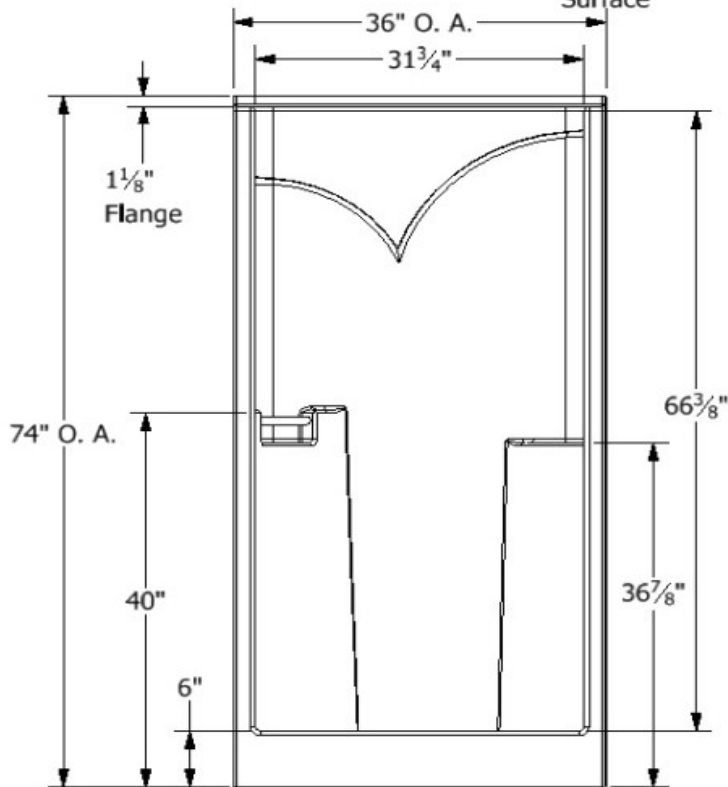
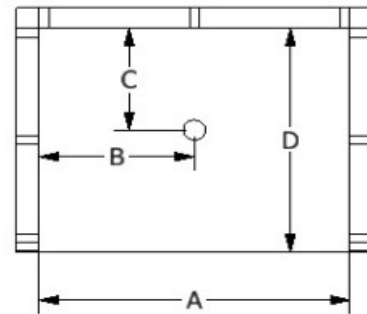
Model #	Material	Wall Finish	Pieces	Drain	Threshold Height	Net Weight Lbs.
S 363674	Fiberglass/Gelcoat	Smooth	1	C	6"	
Enclosure Opening						
Width		Height				
31 3/4"		66 3/8"				

Framing Dimensions

A	B	C	D
36 1/8"	18"	16 3/4"	36 1/8"



Framing Specifications



Certified to conform to ANSI Z124.1 and ASTM E-162 Flame Spread Rating 200 or less and is under a program of factory inspection.

Manufactured by Frontline Mfg., Inc. Warsaw, IN

5/31/19



Diamond Tub & Showers Spec Sheet

Model: S 363676

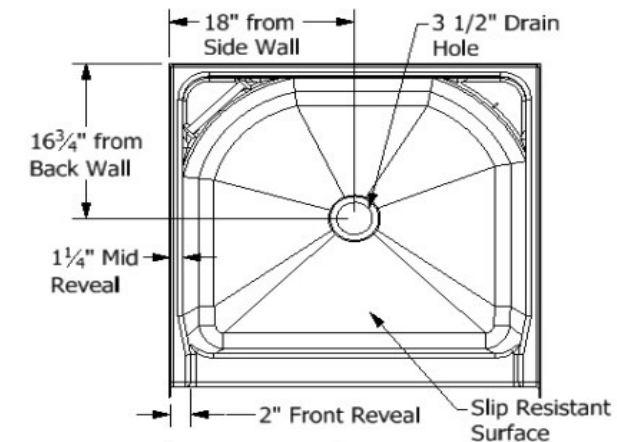
Description: One Piece Shower Unit

Specifications

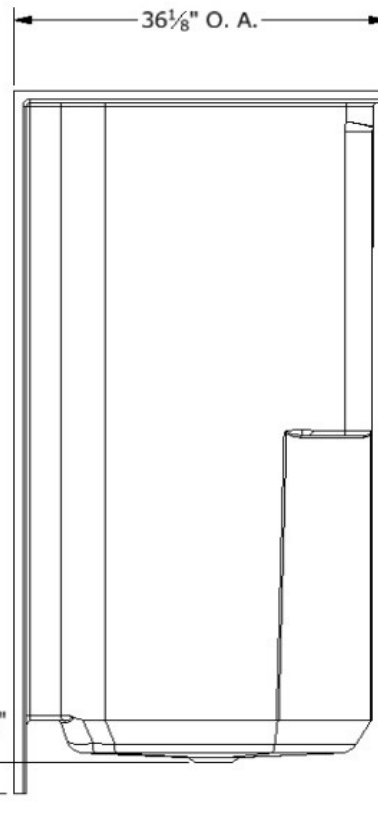
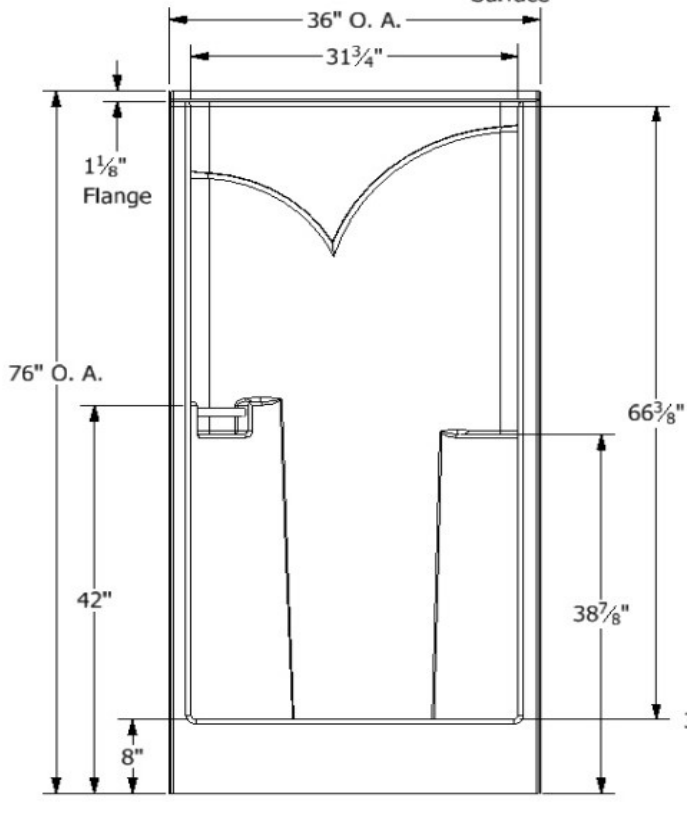
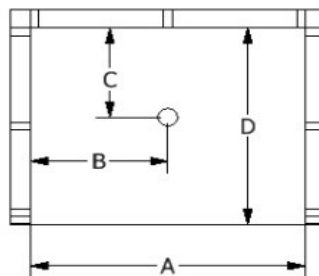
Model #	Material	Wall Finish	Pieces	Drain	Threshold Height	Net Weight Lbs.
S 363676	Fiberglass/Gelcoat	Smooth	1	C	8"	
Enclosure Opening						
Width		Height				
31 3/4"		66 3/8"				

Framing Dimensions

A	B	C	D
36 1/8"	18"	16 3/4"	36 1/8"



Framing Specifications



Certified to conform to HUD/UM73b, ANSI Z124.1, and ASTM E-162 Flame Spread Rating 200 or less and is under a program of factory inspection.

Manufactured by Frontline Mfg. Inc. Leeburg, IN



11/19/12