



Diamond Tub & Showers Spec Sheet

Model: S 362873 (S 3628XX)

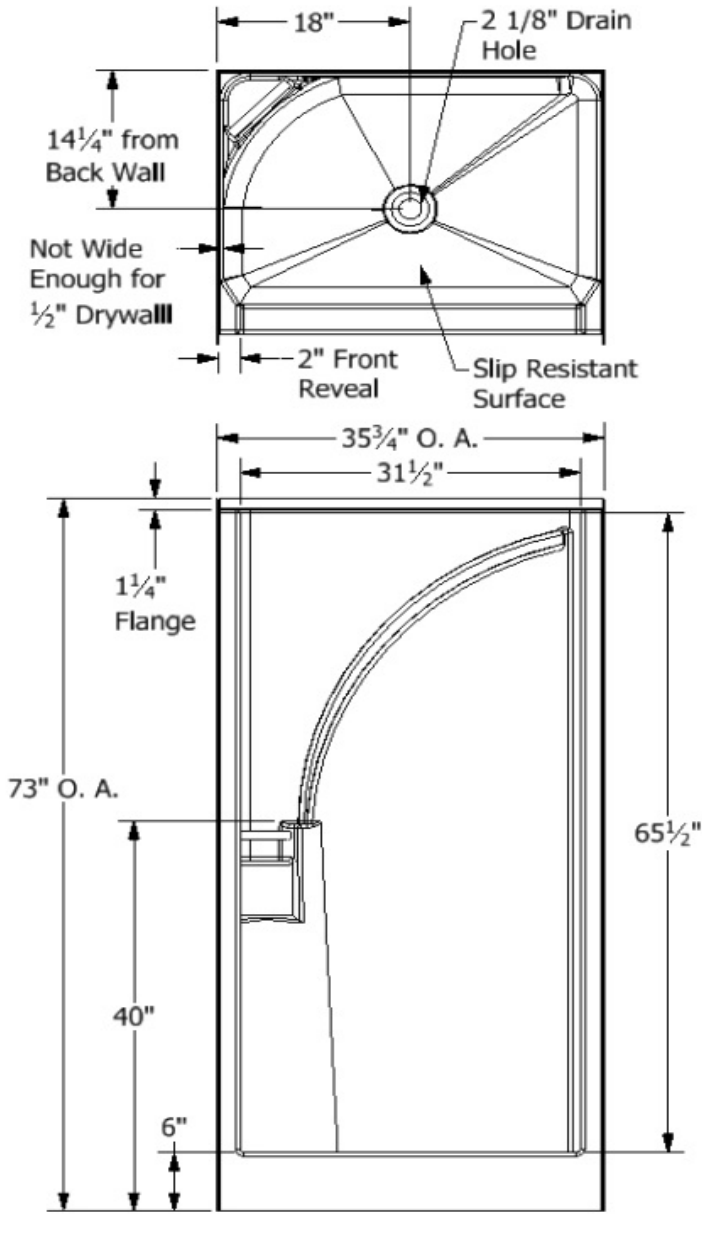
Description: One Piece "Shallow" Depth Shower Unit

Specifications

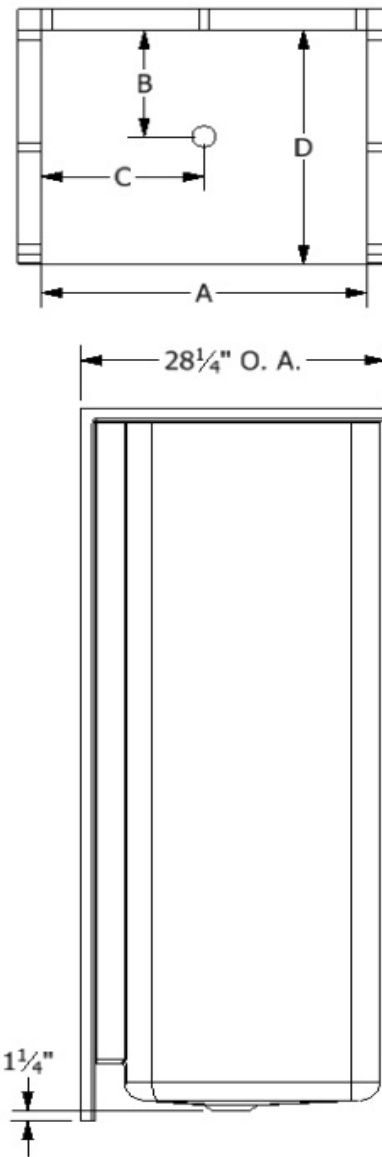
Model #	Material	Wall Finish	Pieces	Drain	Threshold Height	Net Weight Lbs.
S 362873	Fiberglass/Gelcoat	Smooth	1	C	6"	
Enclosure Opening						
Width		Height				
31 1/2"		65 1/2"				

Framing Dimensions

A	B	C	D
35 3/4"	14 1/4"	18"	28 1/8"



Framing Specifications



This product is tested by ICC-ES and is certified to conform to the requirements of CSA B45.5/IAMPO Z124 standard.

Manufactured by Frontline Mfg., Inc. Warsaw, IN

5/31/19