



## Diamond Tub & Showers Spec Sheet

Model: BRS/BLS 6042-6/-8 (Right Shown)

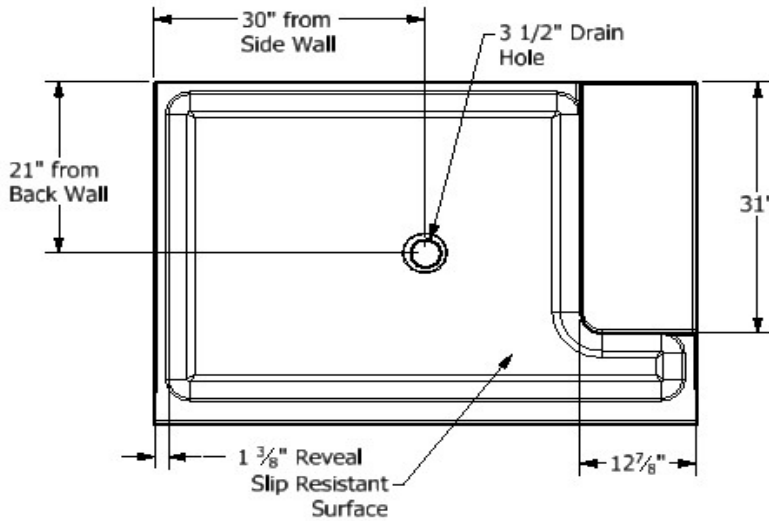
Description: One Piece Shower Base with Seat

### Specifications

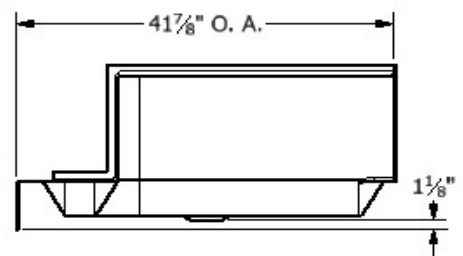
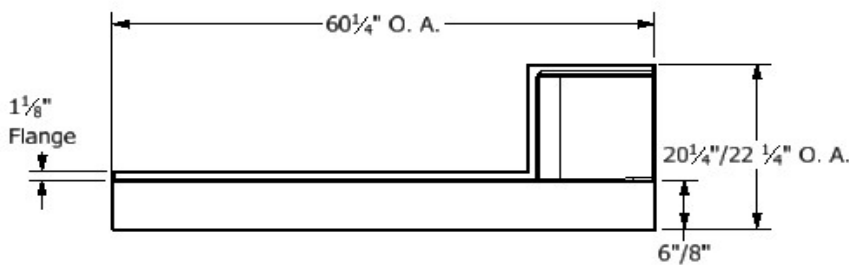
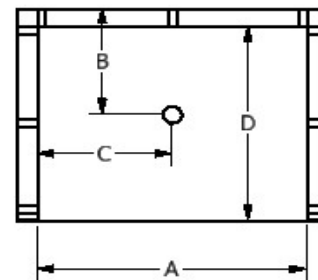
| Model #           | Material           | Wall Finish | Pieces | Drain | Threshold Height                | Net Weight Lbs. |
|-------------------|--------------------|-------------|--------|-------|---------------------------------|-----------------|
| BRS/BLS 6042-6/-8 | Fiberglass/Gelcoat | Smooth      | 1      | C     | 6 <sup>1</sup> / <sub>8</sub> " |                 |
| Enclosure Opening |                    |             |        |       |                                 |                 |
| Width             |                    | Height      |        |       |                                 |                 |
| NA                |                    | NA          |        |       |                                 |                 |

### Framing Dimensions

| A       | B   | C   | D       |
|---------|-----|-----|---------|
| 60 1/4" | 21" | 30" | 42 1/8" |



### Framing Specifications



This product is tested by ICC-ES and is certified to conform to the requirements of CSA B45.5/IAMPO Z124 standard.

Manufactured by Frontli Mfg., Inc. Warsaw,



6/5/19