



Diamond Tub & Showers Spec Sheet

Model: BRS 5435-8

Description: One Piece Shower Base with Right Seat

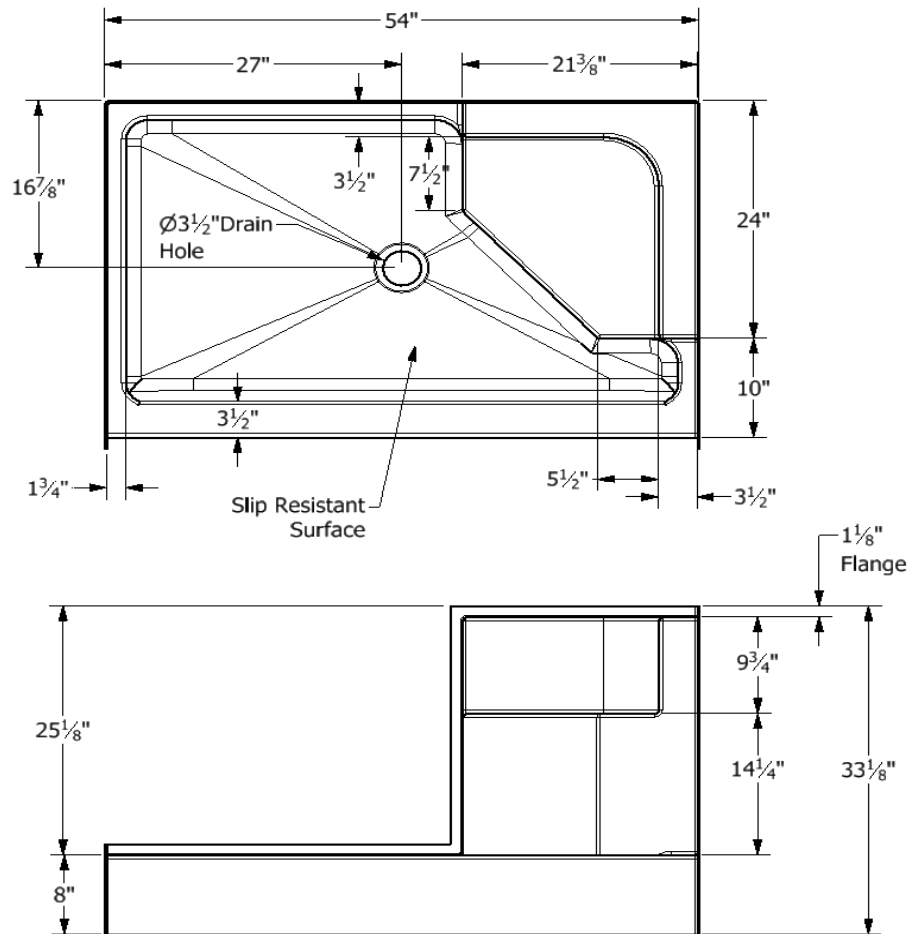
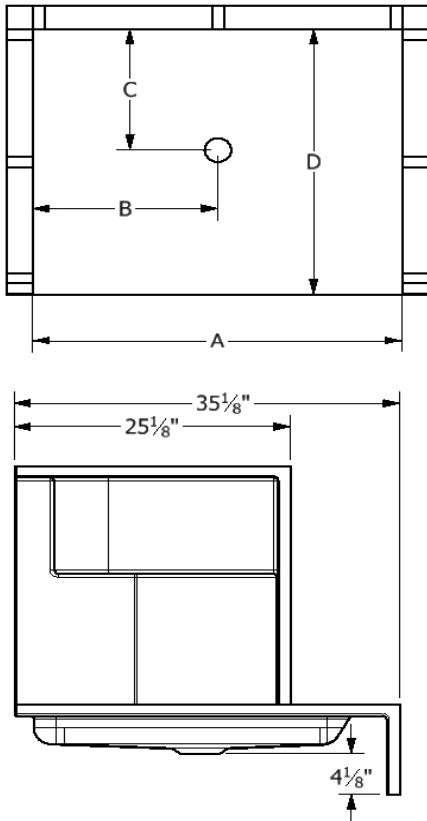
Specifications

Model #	Material	Wall Finish	Pieces	Drain	Threshold Height	Net Weight Lbs.
BRS 5435-8	Fiberglass/Gelcoat	Smooth	1	C	8"	
Enclosure Opening						
Width		Height				
53 3/4"		NA				

Framing Dimensions

A	B	C	D
54"	27"	16 7/8"	35 1/8"

Framing Specifications



This product is tested by ICC-ES and is certified to conform to the requirements of CSA B45.5/IAMPO Z124 standard.

Manufactured by Frontline Mfg., Inc. Warsaw, IN



6/5/19