



# Diamond Tub & Showers Spec Sheet

**Model: TO2 663824**

**Description: 2 Piece Rectangular Free Standing Tub**

## Specifications

Model #	Material	Wall Finish	Pieces	Drain	Total Height	Net Weight Lbs.
TO2 663623	Fiberglass/ Gelcoat	Smooth	2	End	23"	

## Sump Data

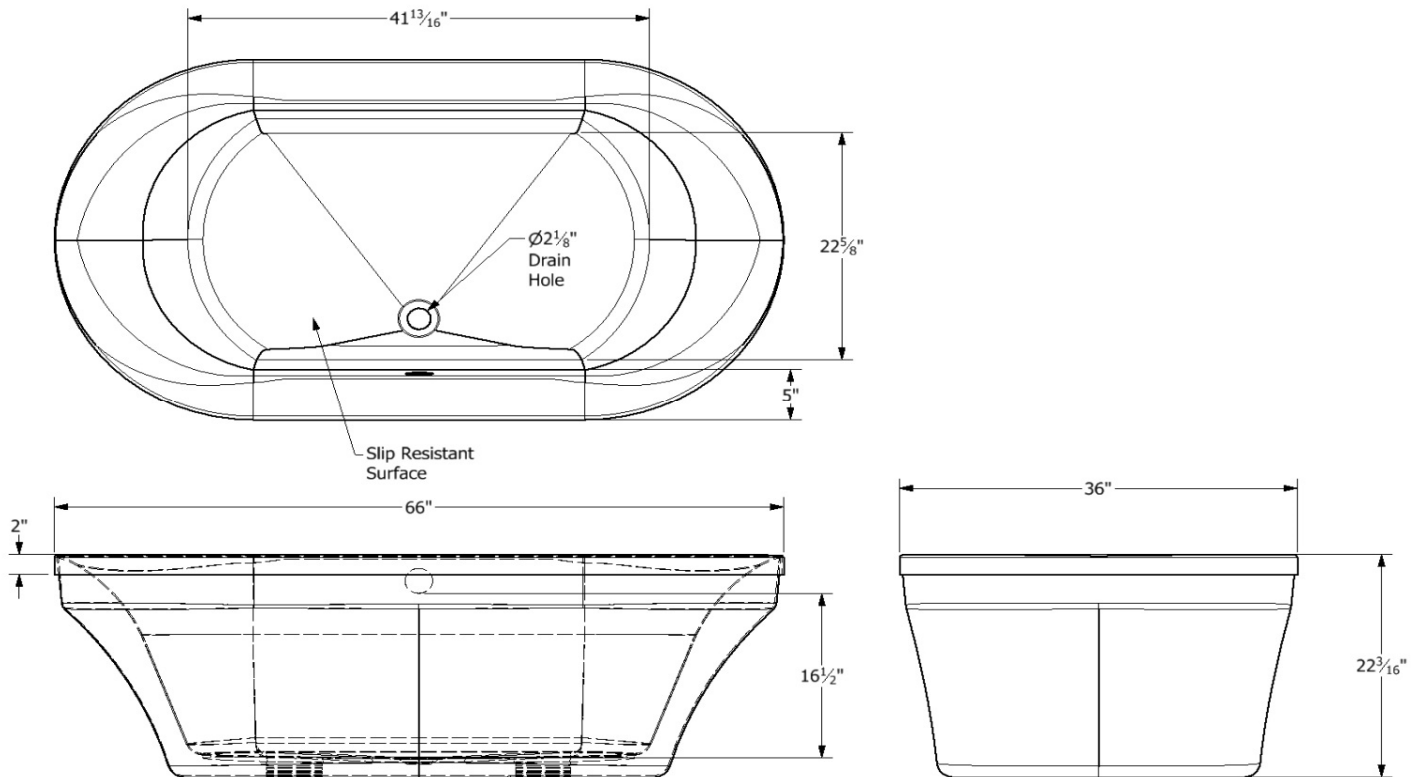
Top of Drain to Bottom of Overflow	Capacity to Overflow Gallons	Top Dimensions		Bottom Dimensions	
		Length	Width	Length	Width
16 1/2"	75.0	64 7/8"	27 1/4"	41 3/4"	24"

## Framing Dimensions

A	B	C	D
NA	NA	NA	NA

## Enclosure Opening

Length	Width
NA	NA



Certified to conform to ANSI Z124.1 and ASTM E- 162 Flame Spread Rating 200 or less and is under a program of factory inspection.

Manufactured by Frontline Mfg., Inc. Warsaw, IN



6/5/19