



Diamond Tub & Showers Spec Sheet

Model: TR2 603274 R-L (Right Shown)

Description: 2 Piece Remodeler Tub/Shower Combo

Specifications

Model #	Material	Wall Finish	Pieces	Drain	Apron Height	Net Weight Lbs.
TR2 603274 R/L	Fiberglass/ Gelcoat	Smooth	2	LH/RH	15"	

Sump Data

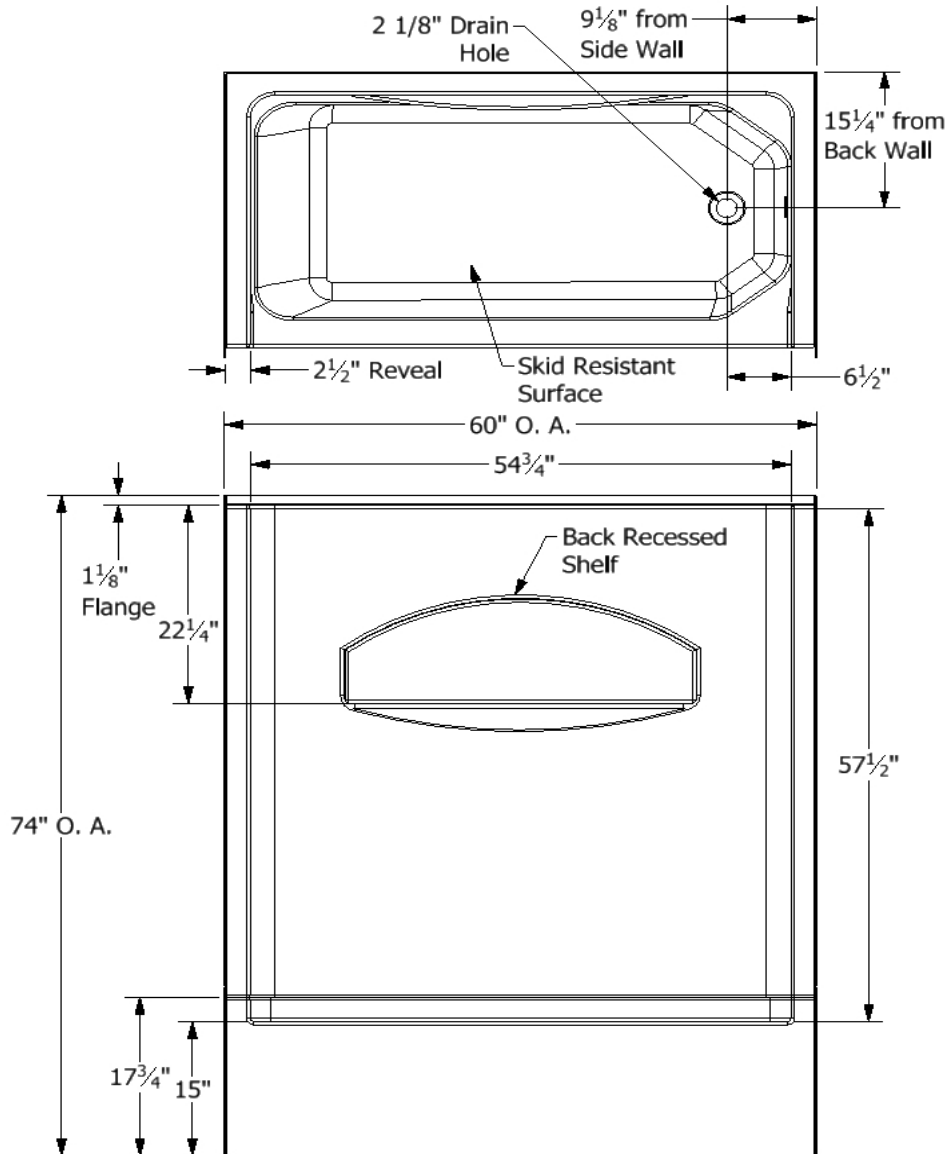
Top of Drain to Bottom of Overflow	Capacity to Overflow Gallons	Top Dimensions		Bottom Dimensions	
		Length	Width	Length	Width
10 1/8"	43.4	54 1/4"	24"	47 1/4"	19 3/4"

Framing Dimensions

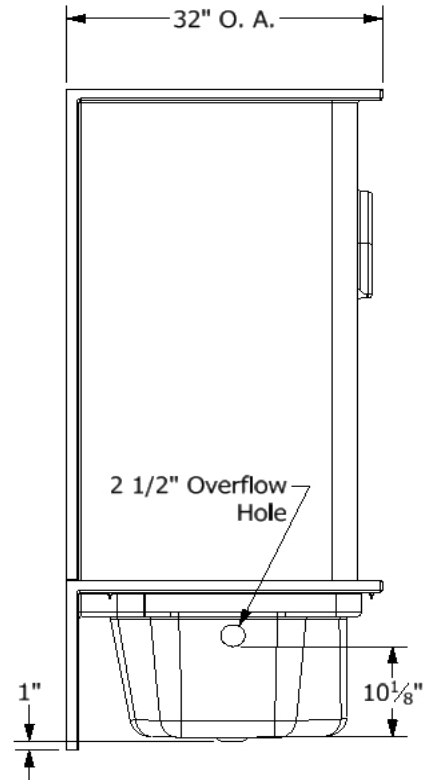
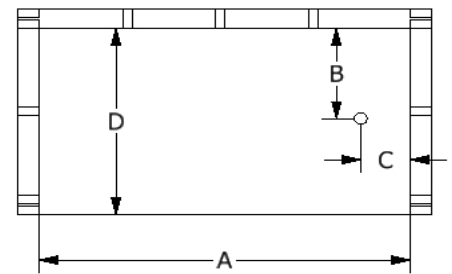
A	B	C	D
60"	15 1/4"	9 1/8"	32"

Enclosure Opening

Width	Height
54 3/4"	57 1/2"



Framing Specifications



Misc. Information

Slope	1/4" / Foot, Minimum 1 Degree - Maximum 4 Degrees
Tolerances	+ 0 / - 1/4"
Other Info	

This product is tested by ICC-ES and is certified to conform to the requirements of CSA B45.5/IAMPO Z124 standard.

Manufactured by Frontline Mfg., Inc. Warsaw, IN
 5/31/19