



# Diamond Tub & Showers Spec Sheet

Model: SRNA2 3979

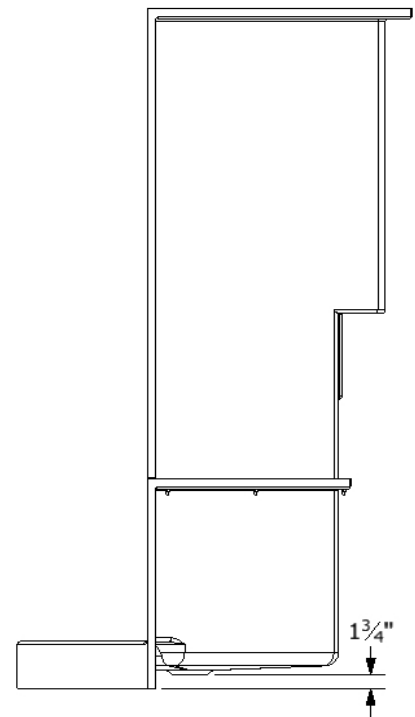
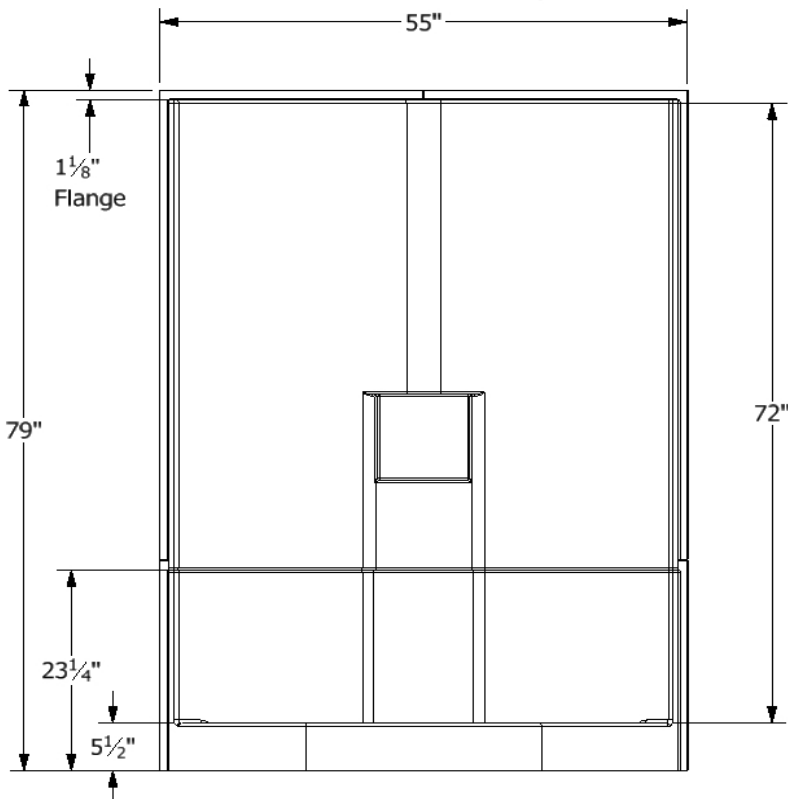
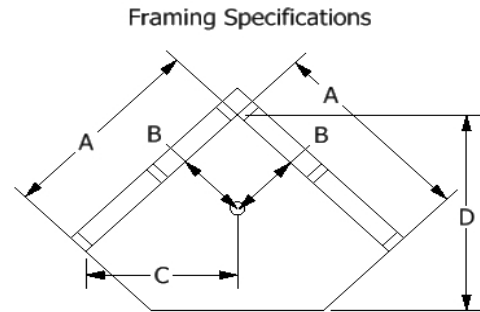
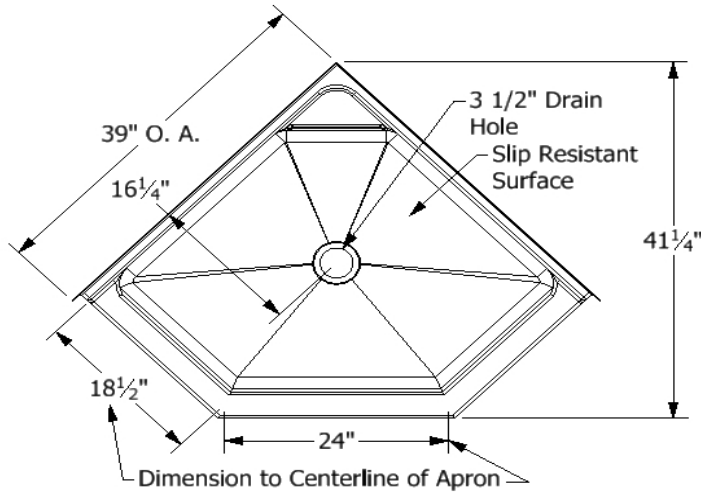
Description: Neo Angle Two Piece Remodeler Shower Unit

## Specifications

Model #	Material	Wall Finish	Pieces	Drain	Threshold Height	Net Weight Lbs.
SRNA2 3979	Fiberglass/Gelcoat	Smooth	2	Center	5 1/2"	
Door Size						
Side	Front	Side	Height			
18 1/2"	24"	18 1/2"	72"			

## Framing Dimensions

A	B	C	D
39"	16 1/4"	"Centered"	41 1/4"



This product is tested by ICC-ES and is certified to conform to the requirements of CSA B45.5/IAMPO Z124 standard.

Manufactured by Frontline Mfg., Inc. Warsaw, IN



5/31/19