



# Diamond Tub & Showers Spec Sheet

Model: SRLB4 603677 R/L (Left Shown)

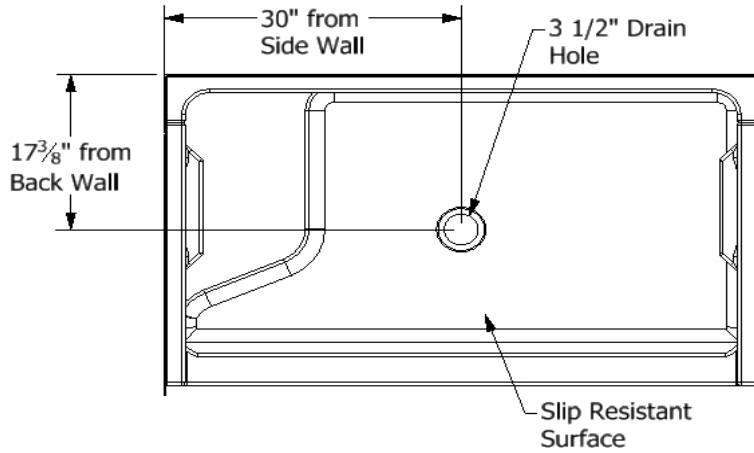
Description: Four Piece Remodeler Shower Unit with Left/Right Bench Seat

## Specifications

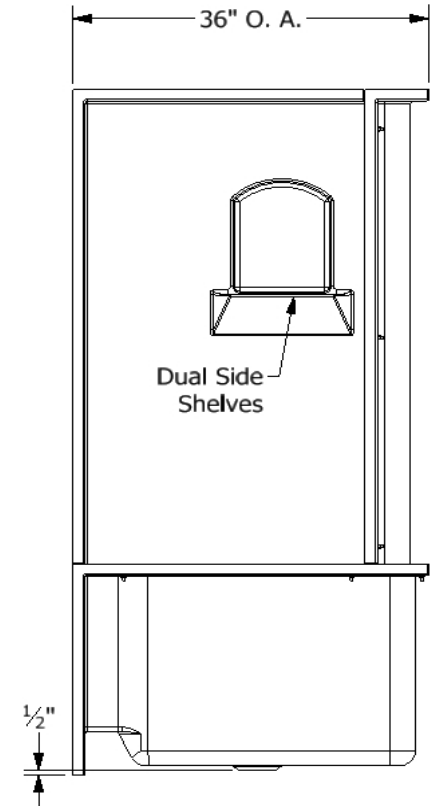
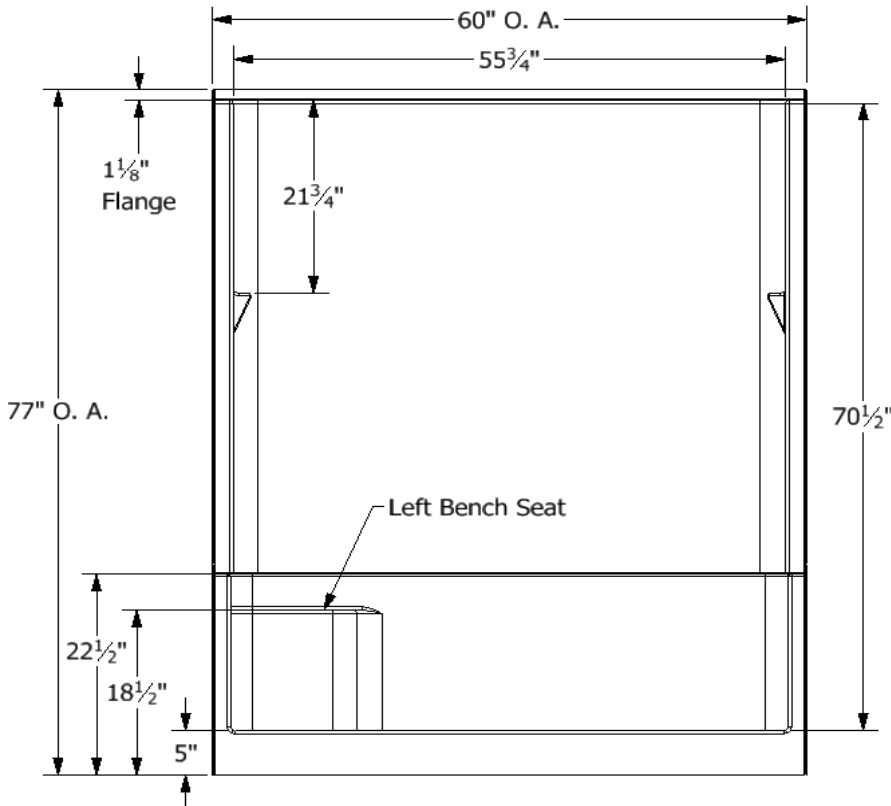
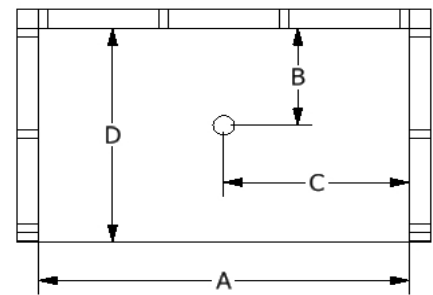
Model #	Material	Wall Finish	Pieces	Drain	Threshold Height	Net Weight Lbs.
SRLB4 603677	Fiberglass/Gelcoat	Smooth	4	C	5"	
Enclosure Opening						
Width		Height				
55 3/4"		70 1/2"				

## Framing Dimensions

A	B	C	D
60"	17 3/8"	30"	36"



## Framing Specifications



This product is tested by ICC-ES and is certified to conform to the requirements of CSA B45.5/IAMPO Z124 standard.

Manufactured by Frontline Mfg., Inc. Warsaw, IN



5/31/19