



Diamond Tub & Showers Spec Sheet

Model: SHR4R/SHR4L 603478

Description: Four Piece Remodeler Shower Unit with No Seat and Right Drain (Right Drain Shown)

Specifications

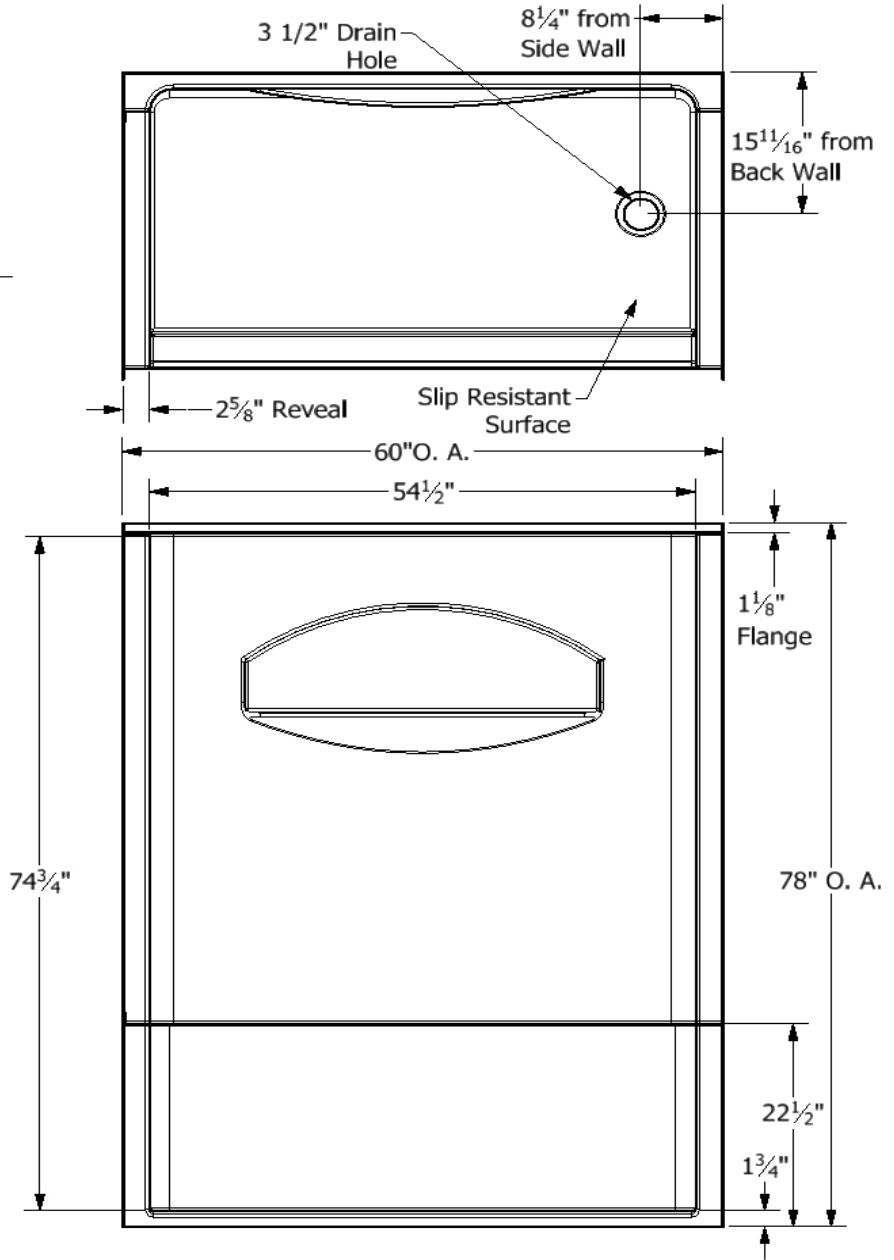
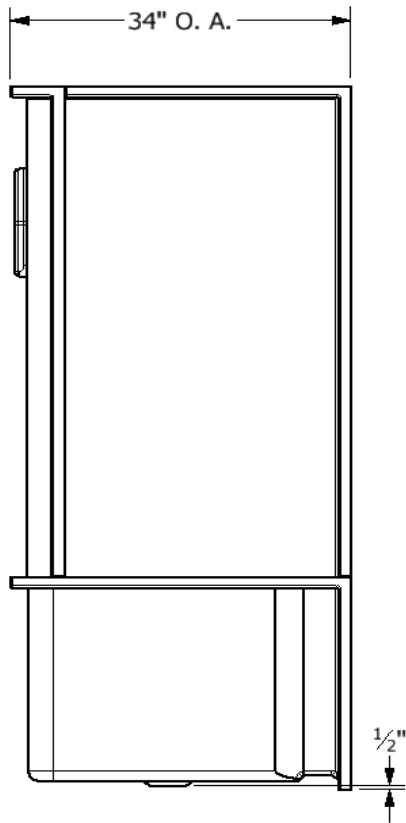
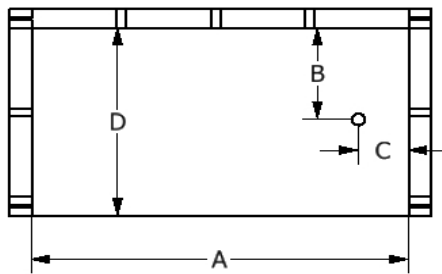
Model #	Material	Wall Finish	Pieces	Drain	Threshold Height	Net Weight Lbs.
SHRNB4R 603478	Fiberglass/Gelcoat	Smooth	4	Center Right	1 3/4"	

Framing Dimensions

A	B	C	D
60"	15 11/16"	8 1/4"	34"

Enclosure Opening	
Width	Height
54 1/2"	74 3/4"

Framing Specifications



This product is tested by ICC-ES and is certified to conform to the requirements of CSA B45.5/IAMPO Z124 standard.

Manufactured by Frontline Mfg., Inc. Warsaw, IN



5/31/19